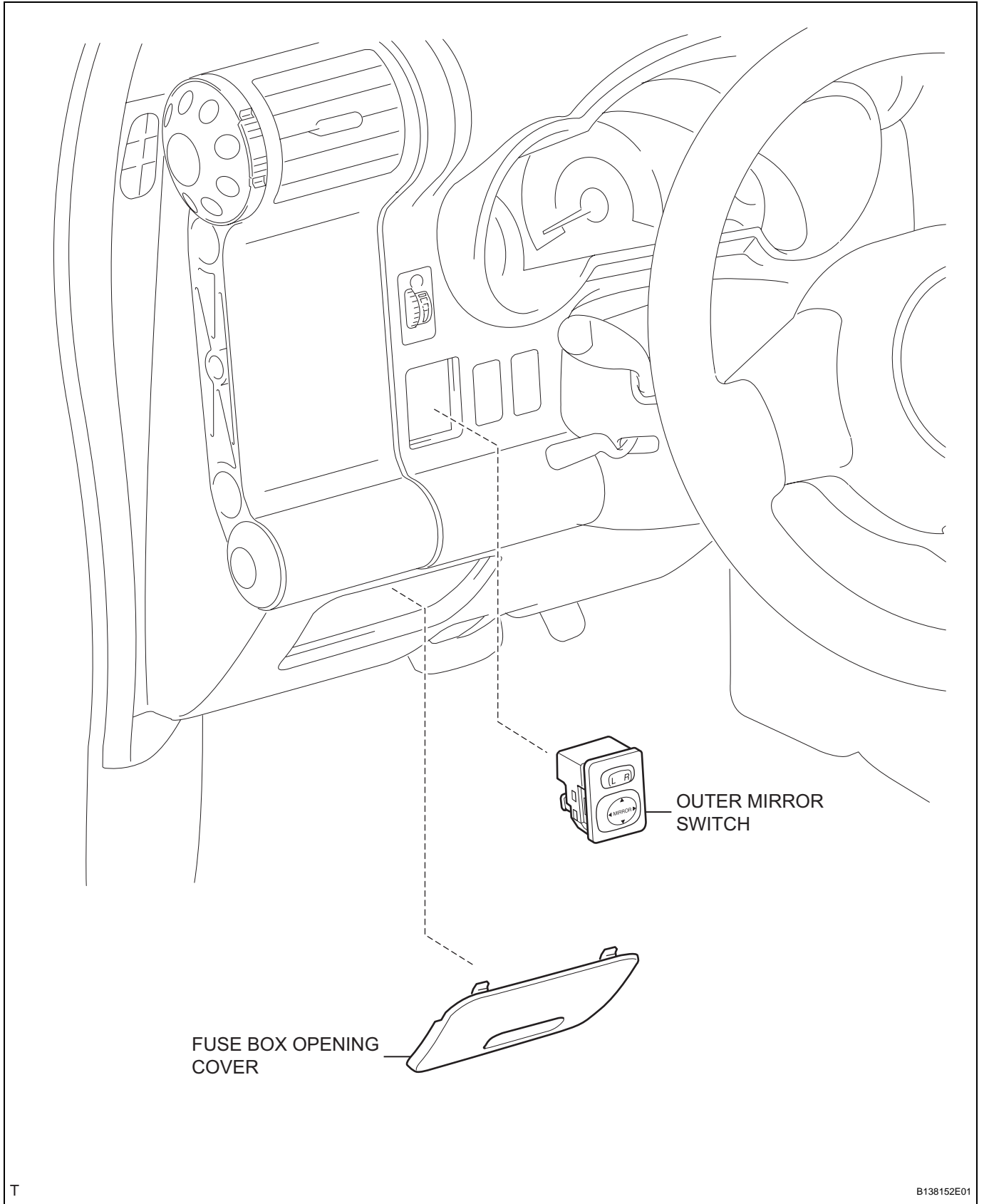


# OUTER MIRROR SWITCH

## COMPONENTS

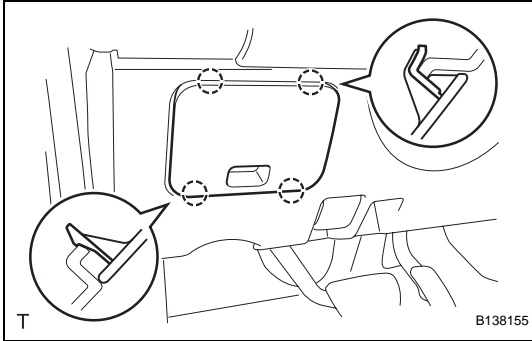


## REMOVAL

### 1. DISCONNECT CABLE FROM NEGATIVE BATTERY TERMINAL

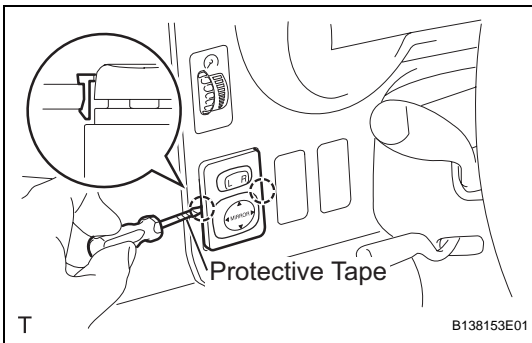
### 2. REMOVE FUSE BOX OPENING COVER

- (a) Disengage the 4 claws and remove the fuse box opening cover.



### 3. REMOVE OUTER MIRROR SWITCH

- (a) Using a screwdriver with its tip wrapped in protective tape, disengage the 2 claws and remove the outer mirror switch.  
 (b) Disconnect the connector.



## INSPECTION

### 1. INSPECT OUTER MIRROR SWITCH

- (a) Check the resistance.  
 (1) Select L on the left/right adjustment switch.  
 (2) Using an ohmmeter, measure the resistance and check the results in accordance with the value(s) in the table below.

#### Standard Resistance

Tester Connection	Condition	Specified Condition
4 (VL) - 7 (E) 4 (VL) - 8 (B) 5 (HL) - 7 (E) 5 (HL) - 8 (B) 6 (M+) - 7 (E) 6 (M+) - 8 (B)	OFF	10 k $\Omega$ or higher
4 (VL) - 8 (B) 6 (M+) - 7 (E)	UP	Below 1 $\Omega$
4 (VL) - 7 (E) 6 (M+) - 8 (B)	DOWN	Below 1 $\Omega$
5 (HL) - 8 (B) 6 (M+) - 7 (E)	LEFT	Below 1 $\Omega$
5 (HL) - 7 (E) 6 (M+) - 8 (B)	RIGHT	Below 1 $\Omega$

If the result is not as specified, replace the outer mirror switch.

- (3) Select R on the left/right adjustment switch.

